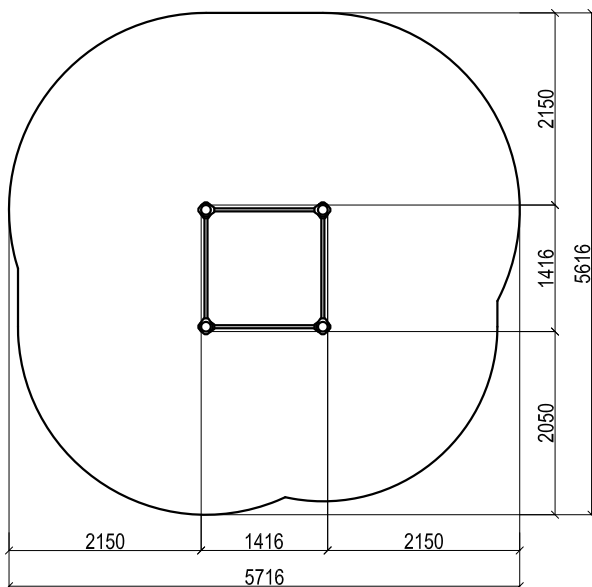




The complex consists of four vertical columns of different height, three crossbars 1200 mm in length and Swedish wall. Optionally, two 1200 mm crossbars can be re-designed to be 1758 mm in length. Height of the Swedish wall – 2073 mm, width – 1200 mm. The distance between the crossbars of the Swedish wall – 407 mm. Construction is secured together with aluminium clamps.



TECHNICAL DESCRIPTION

LENGTH:	1416 MM	
WIDTH:	1416 MM	
HEIGHT:	2650 MM	
LONGEST PART WHEN TRANSPORTING:	3350 MM	
WEIGHT:	190 KG	
REQUIRED GROUND AREA:	5716 X 5616 MM	
PIPE MEASUREMENTS:	DIAMETER:	WALL THICKNESS:
	108 MM	3,2 MM
	34 MM	3,2 MM
METAL PARTS:	POWDER COATED STEEL RAL 7016	
CLAMPS:	POWDER COATED SILUMIN ALLOY RAL 3020	
BOLTS:	HOT GALVANIZED BOLTS M10	
MAX. CROSSBAR HEIGHT:	2450 MM	
USER AGE:	CHILDREN UNDER 14 YEARS ONLY UNDER SURVEILLANCE OF PARENTS	
MAX. USER WEIGHT:	130 KG	
CERTIFICATES:	TÜV RHEINLAND INTERCERT KFT	