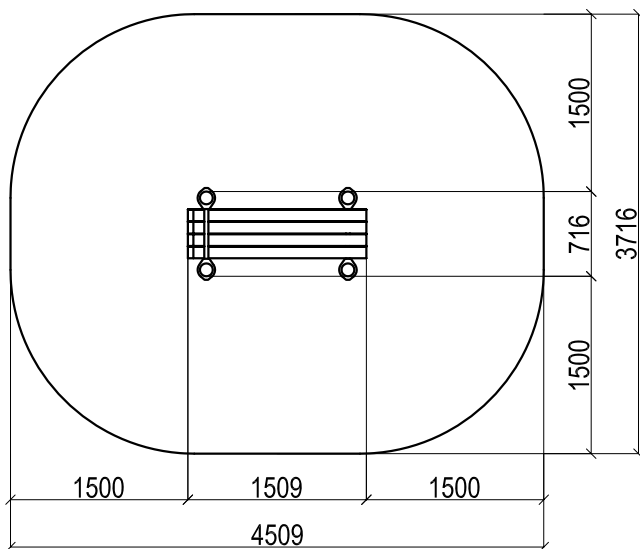


# BENCH FOR ABS

## K-023



The construction consists of four columns of different height, three crossbars 500 mm in length and a wooden bench. Construction is secured together with aluminium clamps.



### TECHNICAL DESCRIPTION

LENGTH:	1509 MM	
WIDTH:	716 MM	
HEIGHT:	1550 MM	
LONGEST PART WHEN TRANSPORTING:	2150 MM	
WEIGHT:	110 KG	
REQUIRED GROUND AREA:	4509 X 3716 MM	
PIPE MEASUREMENTS:	DIAMETER:	WALL THICKNESS:
	108 MM	3,2 MM
	34 MM	3,2 MM
METAL PARTS:	POWDER COATED STEEL RAL 7016	
CLAMPS:	POWDER COATED ALUMINUM ALLOY RAL 3020	
BOLTS:	HOT GALVANIZED BOLTS M10	
MAX. CROSSBAR HEIGHT:	1050 MM	
USER AGE:	CHILDREN UNDER 14 YEARS ONLY UNDER SURVEILLANCE OF PARENTS	
MAX. USER WEIGHT:	130 KG	
CERTIFICATES:	TÜV RHEINLAND INTERCERT KFT	

CERTIFIED:



Precisely Right.

RECOMMENDED:

