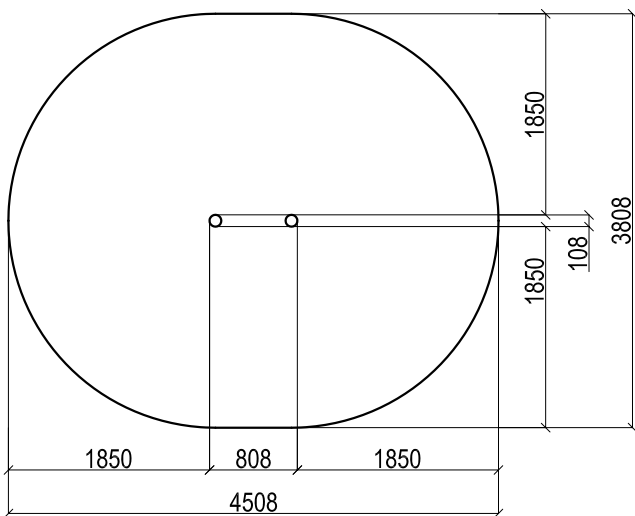


WORKOUT COLUMNS

K-020



The construction consists of two vertical columns with distance of 650-800 mm in between, and the height of each column – 2000 mm.



TECHNICAL DESCRIPTION		
LENGTH:	808 MM	
WIDTH:	108 MM	
HEIGHT:	2050 MM	
LONGEST PART WHEN TRANSPORTING:	2650 MM	
WEIGHT:	60 KG	
REQUIRED GROUND AREA:	4508 X 3808 MM	
PIPE MEASUREMENTS:	DIAMETER:	WALL THICKNESS:
	108 MM	3,2 MM
METAL PARTS:	POWDER COATED STEEL RAL 7016	
CLAMPS:	-	
BOLTS:	-	
MAX. CROSSBAR HEIGHT:	-	
USER AGE:	CHILDREN UNDER 14 YEARS ONLY UNDER SURVEILLANCE OF PARENTS	
MAX. USER WEIGHT:	130 KG	
CERTIFICATES:	TÜV RHEINLAND INTERCERT KFT	

CERTIFIED:  **TÜVRheinland**[®]
Precisely Right.

RECOMMENDED:  **WSWCF**[®]
WORLD FEDERATION
STREET WORKOUT & CALISTHENICS