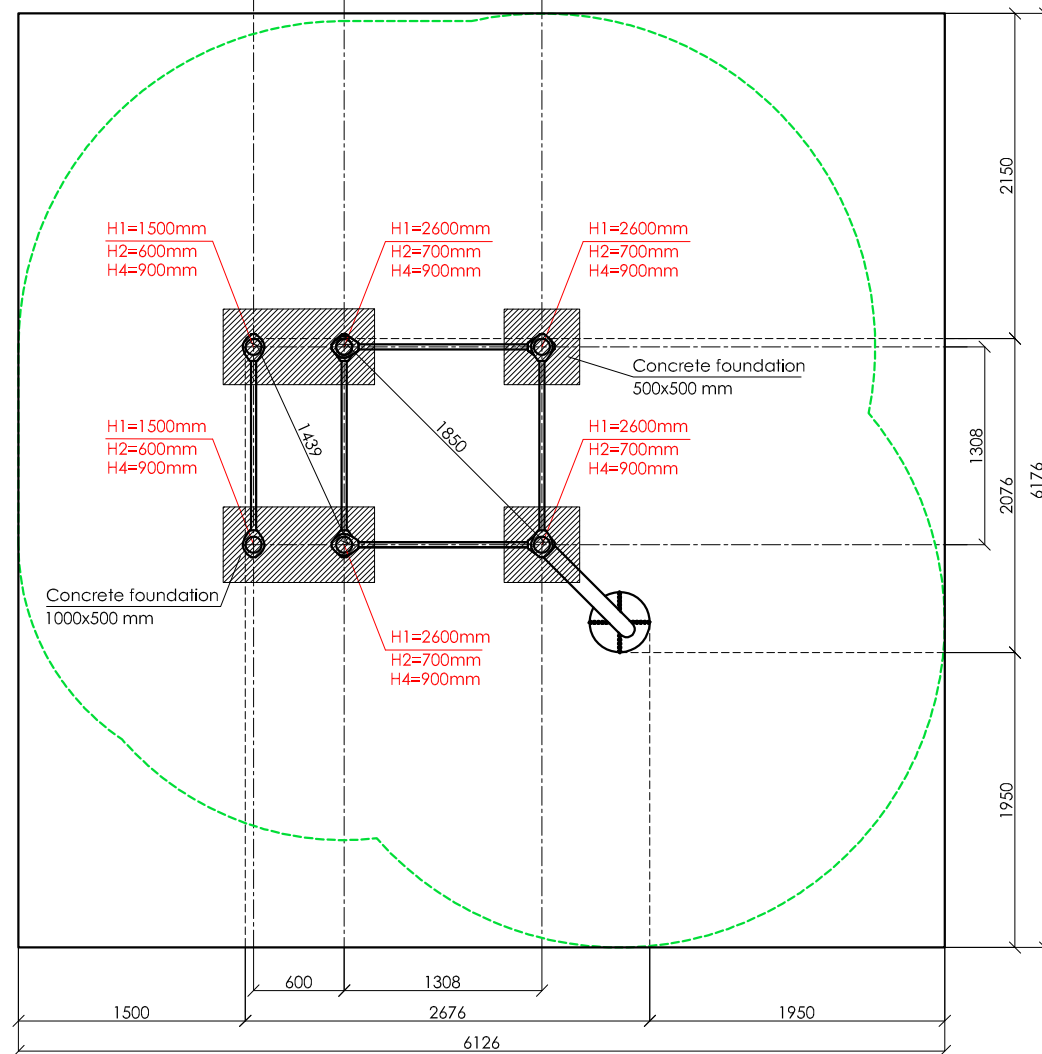
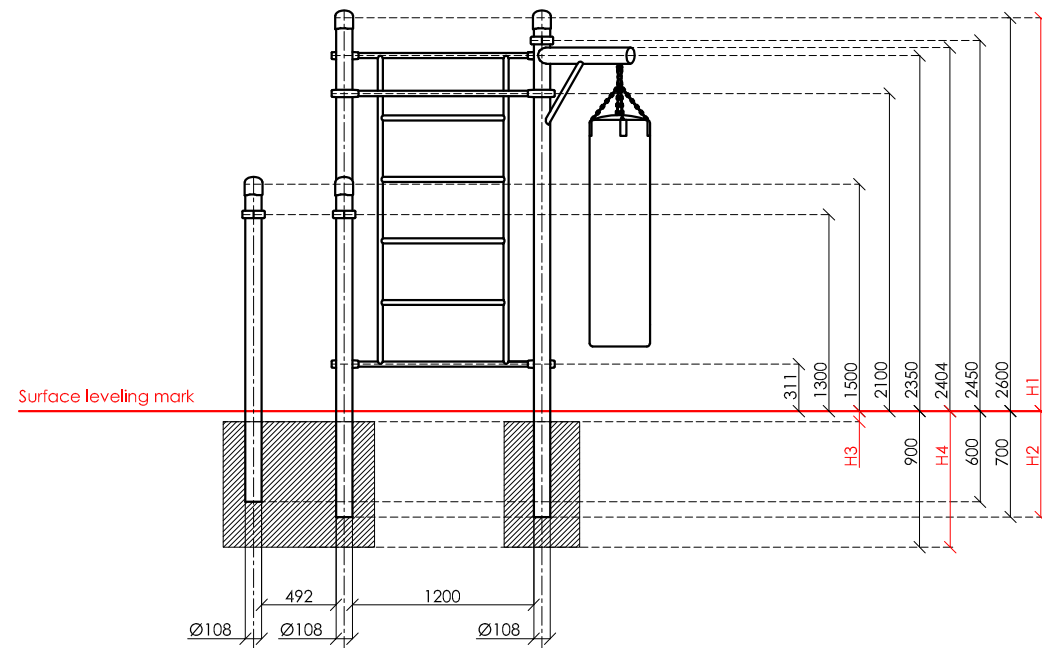
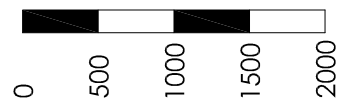


SCALE 1:50



KENGURU PRO

"KENGURU PRO" LTD

Address: Lauteres street 4, Riga, Latvia, LV-1002
 VAT Reg. No. 40103750152
 Bank: A/S Luminor bank, SWIFT: RIKOLV2X,
 Bank Account: LV65RIKO0002930161161
 e-mail: info@kengurupro.eu
 www.kengurupro.eu

K-053

Multi-functional outdoor equipment



The outdoor complex includes six vertical columns, two pull-up bars, a pair of parallel bars, a Swedish wall section and a heavy boxing bag. The structure is secured together with aluminium clamps.
 Weight 310,0 kg

Installation instructions:

- Choose a suitable underground for the unit (see page 2, table 2)!
- Prepare the construction pit with a drilling machine or other devices.
- Before pouring the concrete all structures elements must be leveled and fixed.
- Complex elements must be fixed and bolted together with metal clamps.
- Ready-made C25 concrete should be used.
- Crossbars installation height can be changed according to customer's wishes.
- Approximately 0,15m³ concrete is needed for each spot foundation.
- Under the structures we recommend to install absorbing rubber cover.

The size of the hole for the foundation is depending on the consistency of the ground. The dimensions mentioned above are applicable for normal conditions with firm ground. If the ground is extremely soft, a much bigger foundation is needed. Use only appropriate material and follow the installation instructions closely!!!

Foundation plan and area of movement of the K-053 Multi-functional outdoor equipment

Technical information

Foundation when using Shock absorbing underground (synthetic - rubber granulates)		Beveling of foundation when using loose filling material		Technical information				
				width:	2676 mm			
				height:	2076 mm			
				length:	2650 mm			
				largest part:	3350 mm			
				weight:	310,0 kg			
				floor space required	6126 x 6176 mm			
				pipe measurements:	diameter:	108 mm	wall thickness:	3.2 mm
					42,4 mm		3.2 mm	
					33,7 mm		3.2 mm	
				metal parts:	steel, galvanized, powder coated RAL 7016 (anthracite grey)			
				metal clamps:	siluminium, powder coated, RAL 5018 (turquoise blue)			
				bolts for metal clamps	stainless steel, Pin Hex Button Head Security Screws M10			
				max. free fall height:	< 2450 mm	possible underground see DIN 79000:2012-05 Tab.2 or installation instructions		
				user height:	> 140 cm			
				maximum user weight:	130 kg			
				certificates:				

