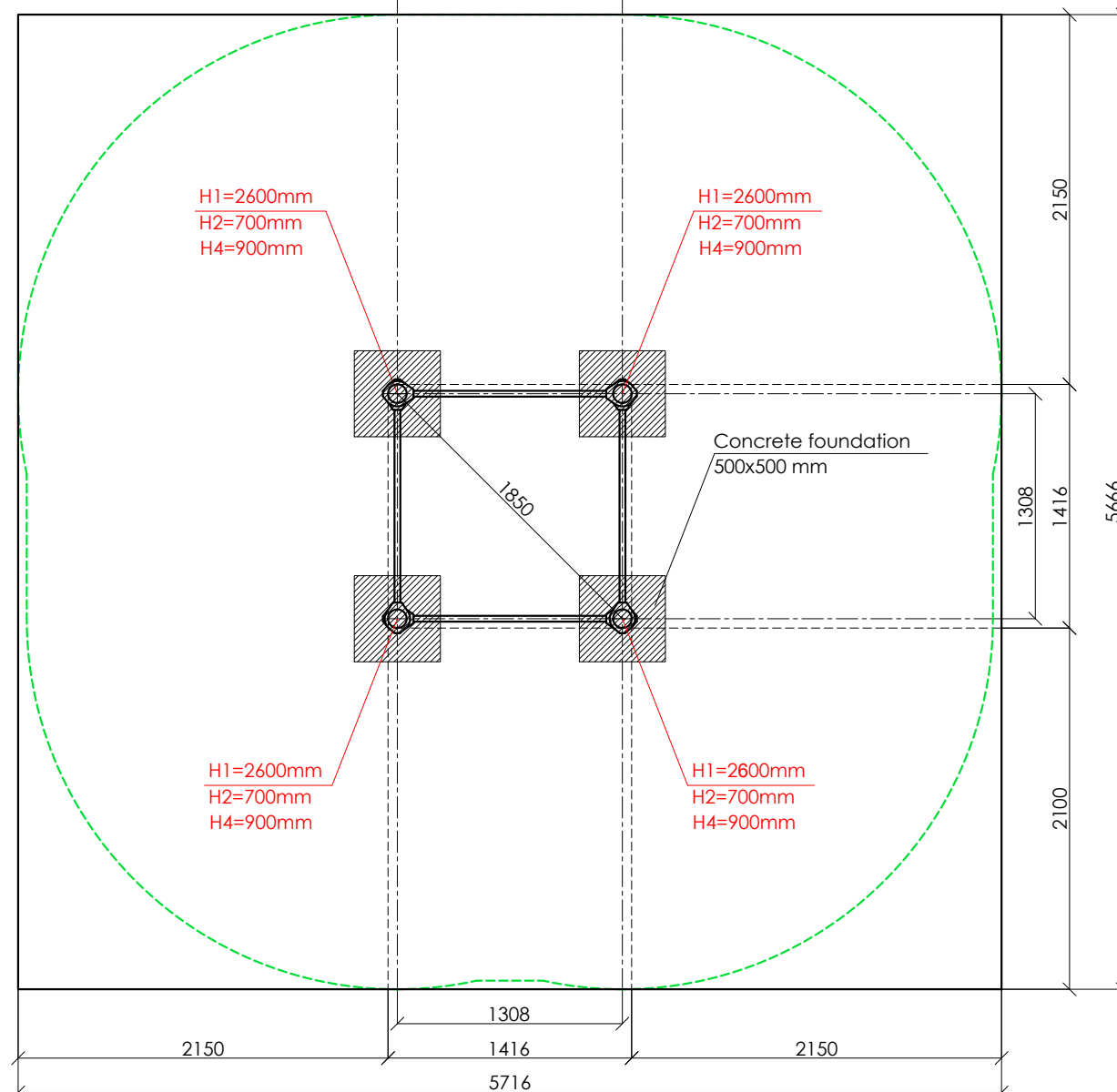
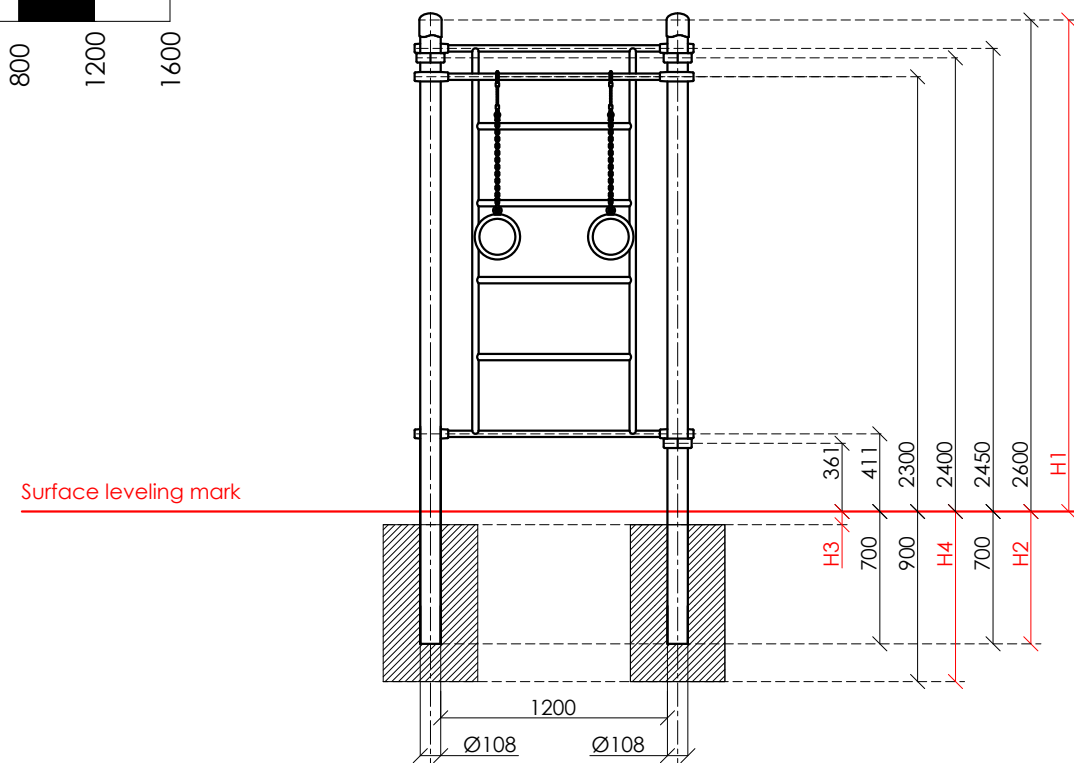
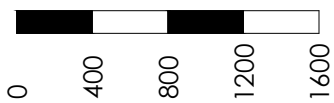


SCALE 1:40



**KENGURU
PRO**

"KENGURU PRO" LTD

Address: Lauteres street 4, Riga, Latvia, LV-1002

VAT Reg. No. 40103750152

Bank: A/S Luminor bank, SWIFT: RIKOLV2X ,

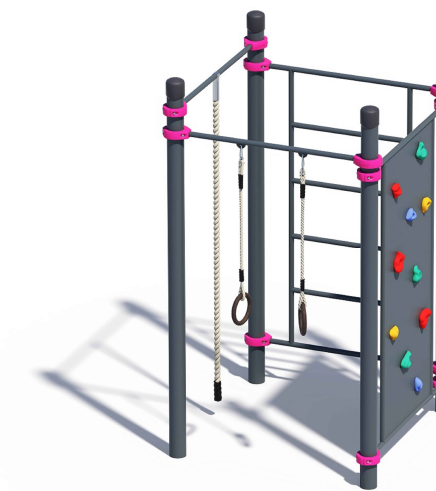
Bank Account: LV65RIKO0002930161161

e-mail: info@kengurupro.eu

www.kengurupro.eu

K-024_kids

Mini complex GTO kids



The complex consists of four vertical columns, two crossbars 1200 mm in length, a climbing wall and a Swedish wall. Optionally, two 1200 mm crossbars can be re-designed to be 1758 mm in length. Height of the Swedish wall and climbing wall – 2073 mm, width – 1200 mm. The distance between each crossbar of the Swedish wall – 407 mm. The complex is secured together with siluminium clamps.

Installation instructions:

- Choose a suitable underground for the unit (see page 2, table 2)!
- Prepare the construction pit with a drilling machine or other devices.
- Before pouring the concrete all structures elements must be leveled and fixed.
- Complex elements must be fixed and bolted together with metal clamps.
- Ready-made C25 concrete should be used.
- Crossbars installation height can be changed according to customer's wishes.
- Approximately 0,15m³ concrete is needed for each spot foundation.
- Under the structures we recommend to install absorbing rubber cover.

The size of the hole for the foundation is depending on the consistency of the ground. The dimensions mentioned above are applicable for normal conditions with firm ground. If the ground is extremely soft, a much bigger foundation is needed. Use only appropriate material and follow the installation instructions closely!!!

Foundation plan and area of movement of the K-024 kids

Technical information

Foundation when using Shock absorbing underground (synthetic - rubber granulates)		Beveling of foundation when using loose filling material		Technical information		
H3	Drop height	H3	Drop height	width:	1416 mm	
40 mm	> 1.2.....1.4 m	20 cm	< 1.0 m	height:	2650 mm	
50 mm	> 1.5.....1.7 m	30 cm	< 2.0 m	length:	1416 mm	
60 mm	> 1.8.....2.0 m	40 cm	< 3.0 m	largest part:	3350 mm	
70 mm	> 2.1.....2.5 m			weight:	237,6 kg	
				floor space required	5716 x 5666 mm	
				pipe measurements:	diameter:	108 mm
					33,7mm	wall thickness:
						3.2 mm
						3.2 mm
				metal parts:	steel, galvanized, powder coated RAL 7016 (anthracite grey)	
				metal clamps:	siluminium, powder coated, RAL 4010 (telemagenta)	
				bolts for metal clamps:	stainless steel, Pin Hex Button Head Security bolts M10	
				max. free fall height:	< 2450 mm	EN1176-1 annex I table I.1
				user age:	3-14 years	
				certificates:		

