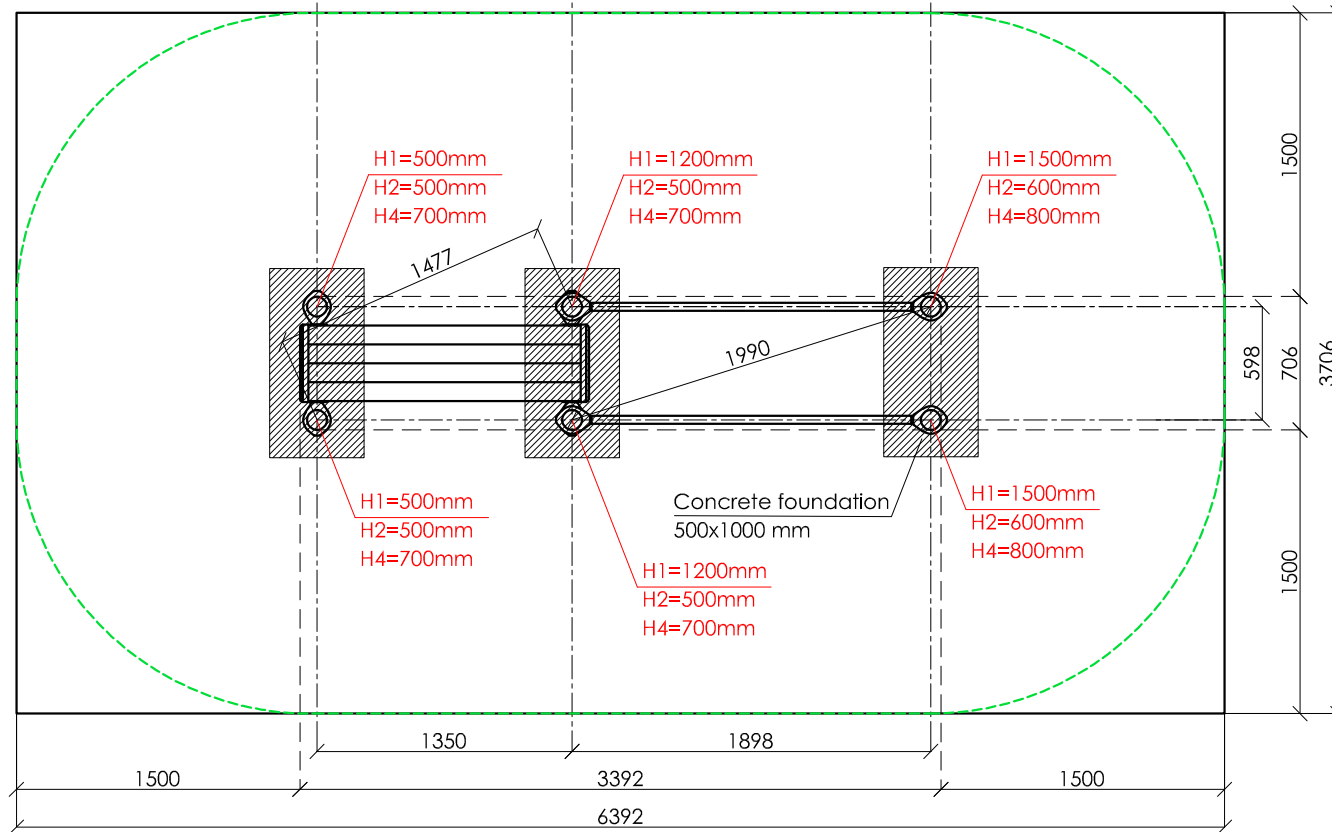
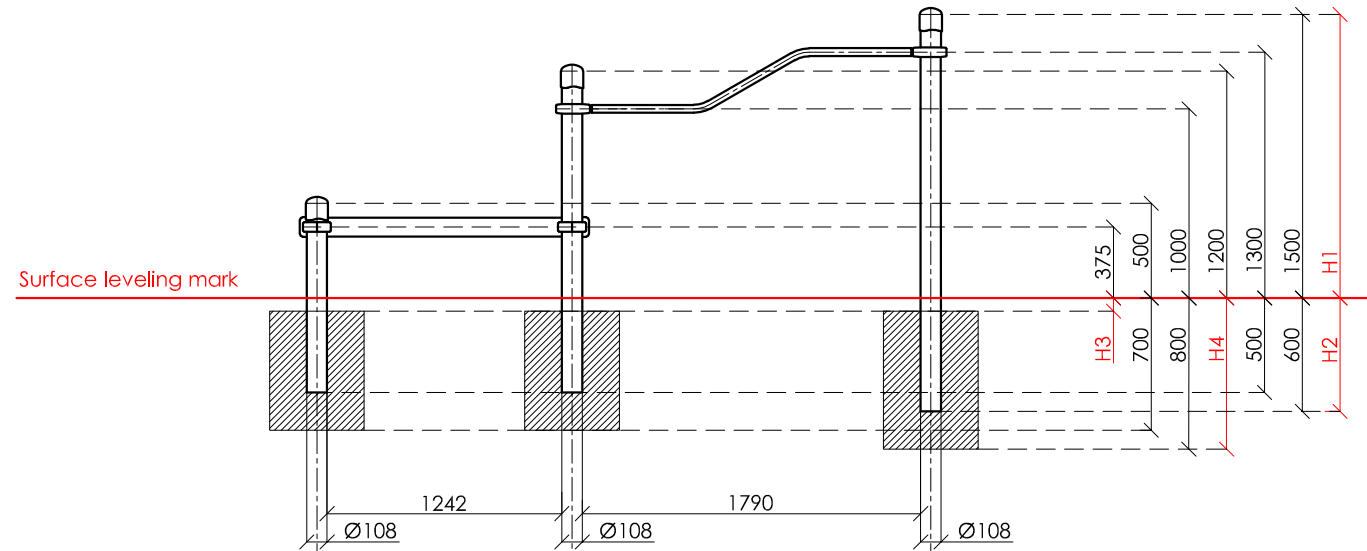
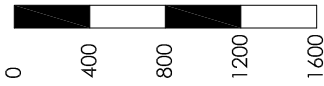


SCALE 1:40



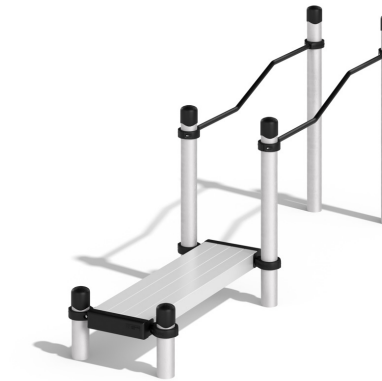
**KENGURU
PRO**

"KENGURU PRO" LTD

Address: Lauteres street 4, Riga, Latvia, LV-1002
 VAT Reg. No. 40103750152
 Bank: A/S Luminor bank, SWIFT: RIKOLV2X,
 Bank Account: LV65RIKO0002930161161
 e-mail: info@kengurupro.eu
 www.kengurupro.eu

P-023

Parallel multi-level bars with bench



The complex consists of six vertical columns of different height, two crossbars 490 mm in length, multi-level parallel bars 1790 mm in length and a aluminium bench. The distance between the multi-level parallel bars is 598 mm. The difference between the lowest and highest point of the multi-level parallel bars is 300 mm. The structure is secured together with siluminium clamps. Weight - 92.0 kg.

Installation instructions:

- Choose a suitable underground for the unit.
- Prepare the construction pit with a drilling machine or other devices.
- Before pouring the concrete all structures elements must be leveled and fixed.
- Complex elements must be fixed and bolted together with metal clamps.
- Ready-made C25 concrete should be used.
- Crossbars installation height can be changed according to customer's wishes.
- Approximately 0,15m³ concrete is needed for each spot foundation.
- Under the structures we recommend to install absorbing rubber cover.

The size of the hole for the foundation is depending on the consistency of the ground. The dimensions mentioned above are applicable for normal conditions with firm ground. If the ground is extremely soft, a much bigger foundation is needed. Use only appropriate material and follow the installation instructions closely!!!

Foundation plan and area of movement of the P-023 Parallel multi-level bars with bench

H3	Drop height
40 mm	> 1.2.....1.4 m
50 mm	> 1.5.....1.7 m
60 mm	> 1.8.....2.0 m
70 mm	> 2.1.....2.5 m

H3	Drop height
20 cm	< 1.0 m
30 cm	< 2.0 m
40 cm	< 3.0 m

Technical information

width:	706 mm	
height:	1550 mm	
length:	3392 mm	
largest part:	2150 mm	
weight:	92.0 kg	
floor space required	6392 x 3706 mm	
pipe measurements:	diameter:	wall thickness:
	108 mm	3.0 mm
	42.4 mm	3.0 mm
	33.7 mm	3.0 mm
columns Ø108mm:	anodized profiled aluminium tube AW6060 (Silver color)	
elements:	stainless steel AISI 304, brushed surface	
metal clamps:	siluminium, powder coated, RAL 9005 (pure black)	
bolts for metal clamps	stainless steel, Pin Hex Button Head Security Screws M10	
bench beam measurements:	Height, width	Lenght
	100 x 100	1500
aluminium beams	silver color, anodized AW 6060, 2.0 mm	
max. free fall height:	< 1300 mm	possible underground see DIN 79000:2012-05 Tab.2 or installation instructions
user height:	> 140 cm	
maximum user weight:	130 kg	
certificates:	TÜV Rheinland InterCert Kft.	

