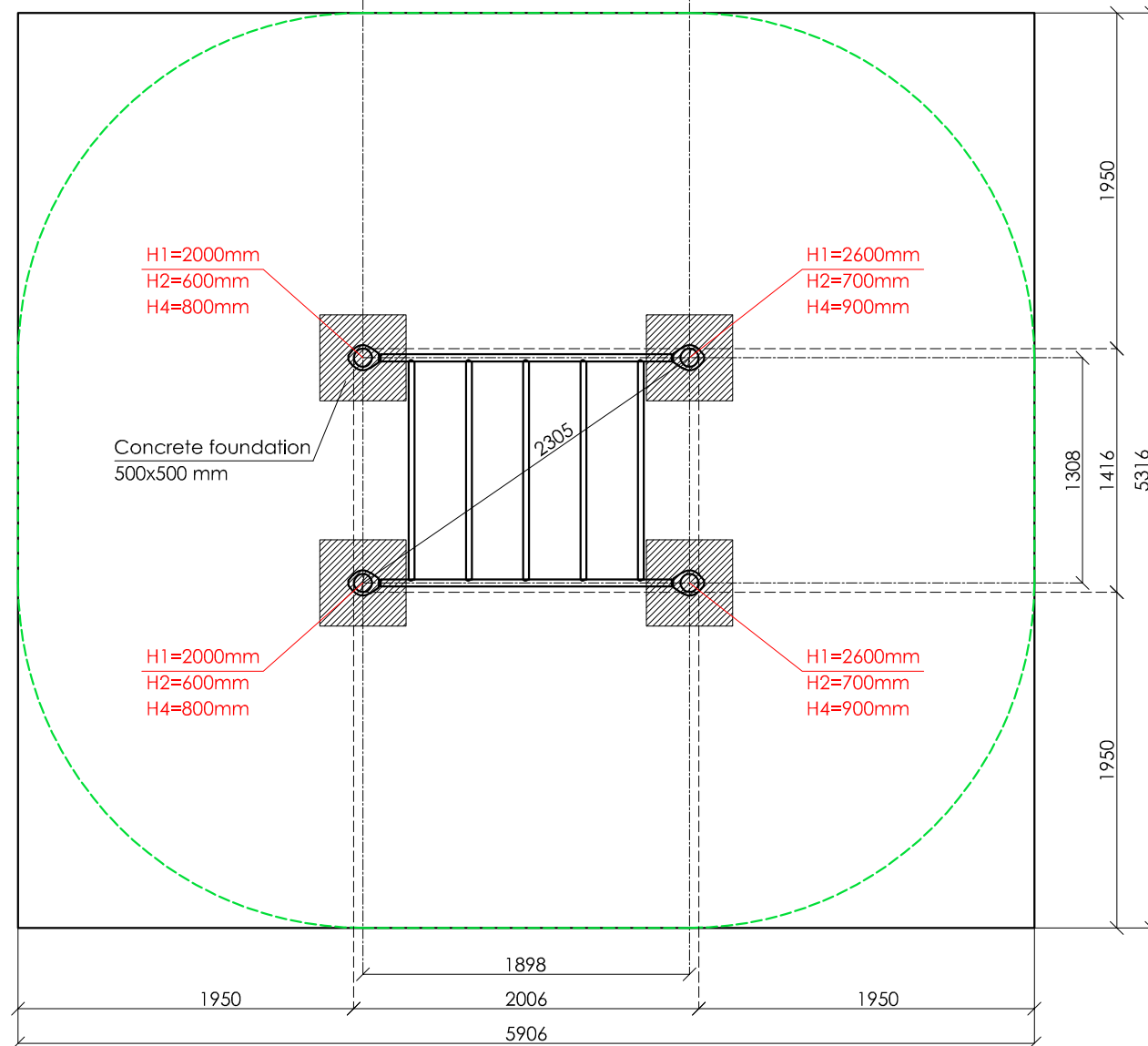
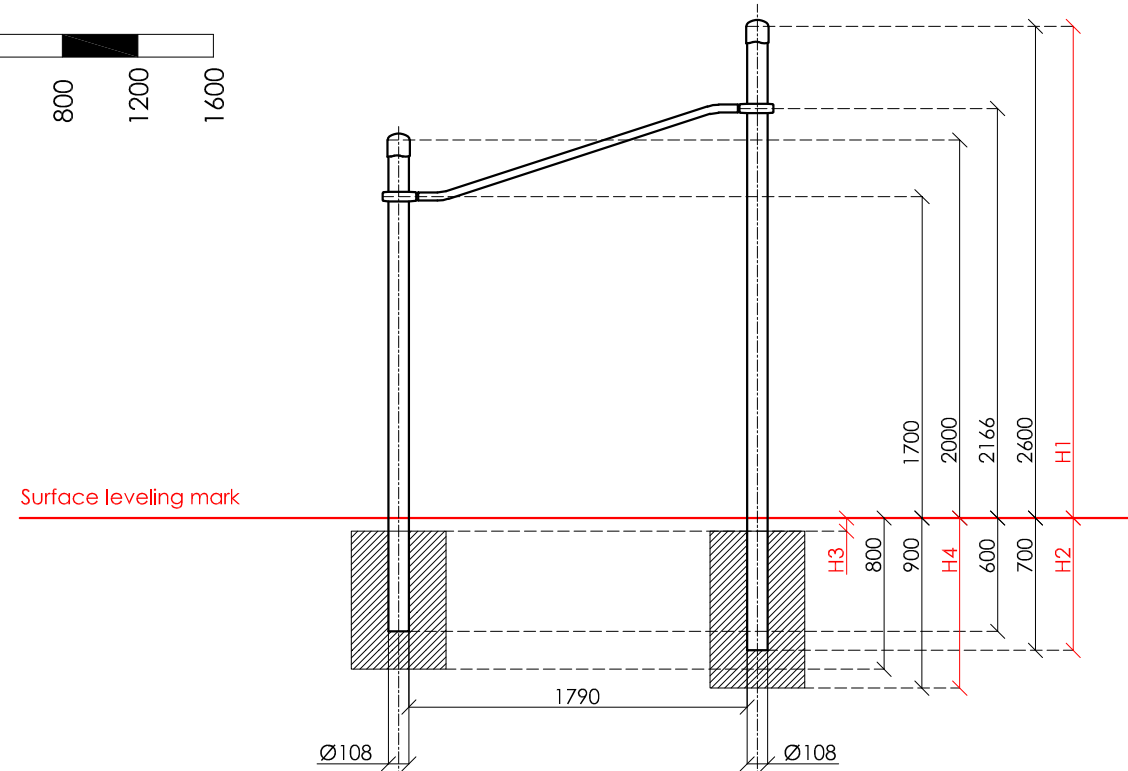
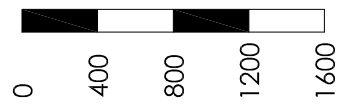


SCALE 1:40



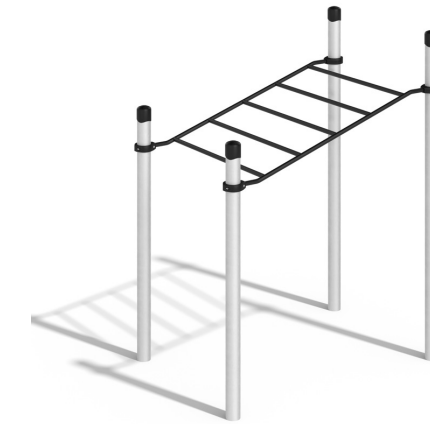
**KENGURU  
PRO**

"KENGURU PRO" LTD

Address: Lauteres street 4, Riga, Latvia, LV-1002  
 VAT Reg. No. 40103750152  
 Bank: A/S Luminor bank, SWIFT: RIKOLV2X,  
 Bank Account: LV65RIKO0002930161161  
 e-mail: info@kengurupro.eu  
 www.kengurupro.eu

P-007

PARAKENGURU Inclined Monkey bar



The complex consists of four vertical columns at the height of: 2000 mm -2 pieces, 2600 mm-2 pieces. and inclined monkey bar section 1790 mm in length. Monkey bar section width is 1350 mm. The distance between the crossbars of the monkey bar is 350 mm. Height difference for the monkey bar section is 466,3 mm. Construction is secured together with siluminium clamps.

Installation instructions:

- Choose a suitable underground for the unit.
- Prepare the construction pit with a drilling machine or other devices.
- Before pouring the concrete all structures elements must be leveled and fixed.
- Complex elements must be fixed and bolted together with metal clamps.
- Ready-made C25 concrete should be used.
- Crossbars installation height can be changed according to customer's wishes.
- Approximately 0,15m<sup>3</sup> concrete is needed for each spot foundation.
- Under the structures we recommend to install absorbing rubber cover.

The size of the hole for the foundation is depending on the consistency of the ground. The dimensions mentioned above are applicable for normal conditions with firm ground. If the ground is extremely soft, a much bigger foundation is needed. Use only appropriate material and follow the installation instructions closely!!!

Foundation plan and area of movement of the P-007 PARAKENGURU Inclined Monkey bar

Technical information

Foundation when using Shock absorbing underground (synthetic - rubber granulates)		Beveling of foundation when using loose filling material		Technical information		
				width:	1416 mm	
				height:	2650 mm	
				length:	2006 mm	
				largest part:	3350 mm	
				weight:	75.0 kg	
				floor space required	5906 x 5316 mm	
				pipe measurements:	diameter:	wall thickness:
					108 mm	3.0 mm
					42.4 mm	3.0 mm
					33.7 mm	3.0 mm
				columns Ø108mm:	anodized profiled aluminium tube AW6060 (Silver color)	
				elements:	stainless steel AISI 304, brushed surface	
				metal clamps:	siluminium, powder coated, RAL 9005 (pure black)	
				bolts for metal clamps	stainless steel, Pin Hex Button Head Security bolts M10	
				max. free fall height:	< 2166 mm	possible underground see DIN 79000:2012-05 Tab.2 or installation instructions
				user height:	> 140 cm	
				maximum user weight:	130 kg	
				certificates:	TÜV Rheinland InterCert Kft.	

