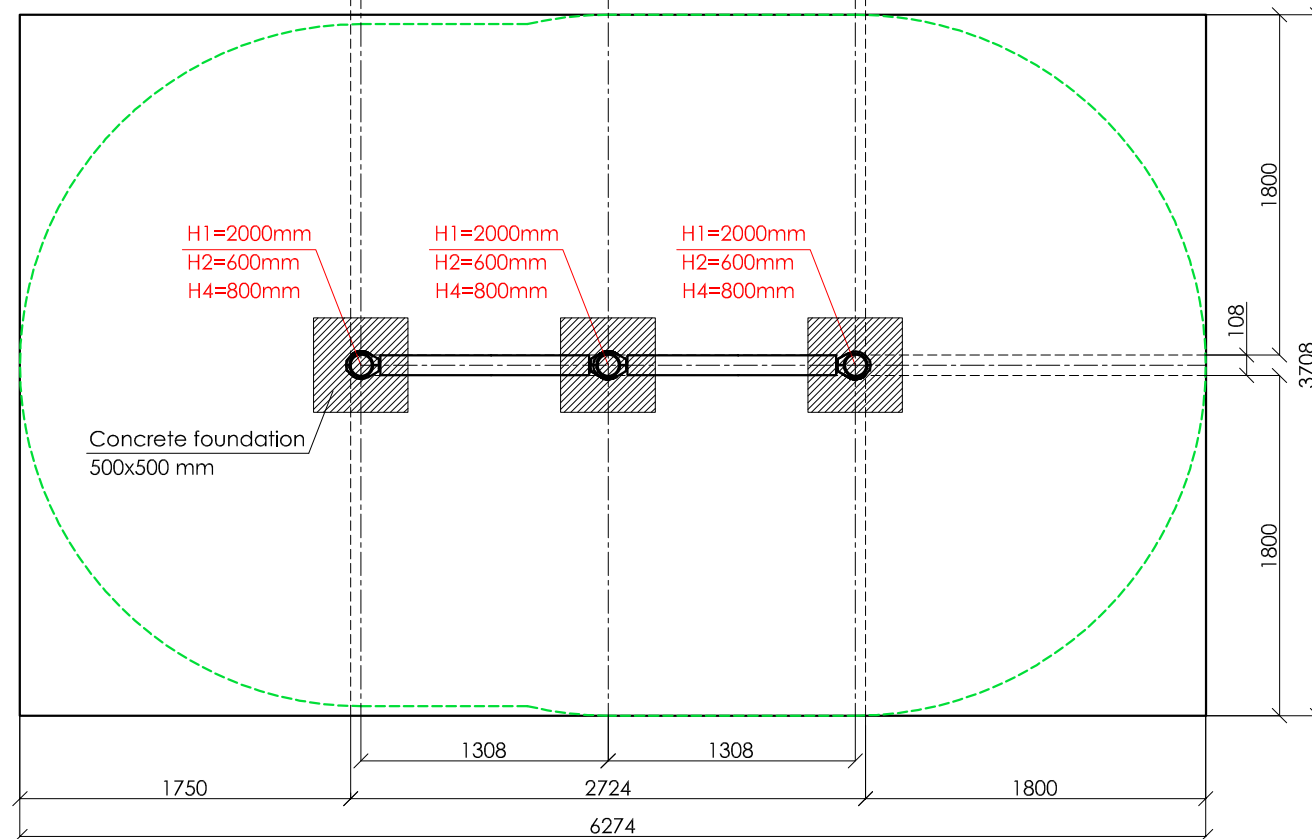
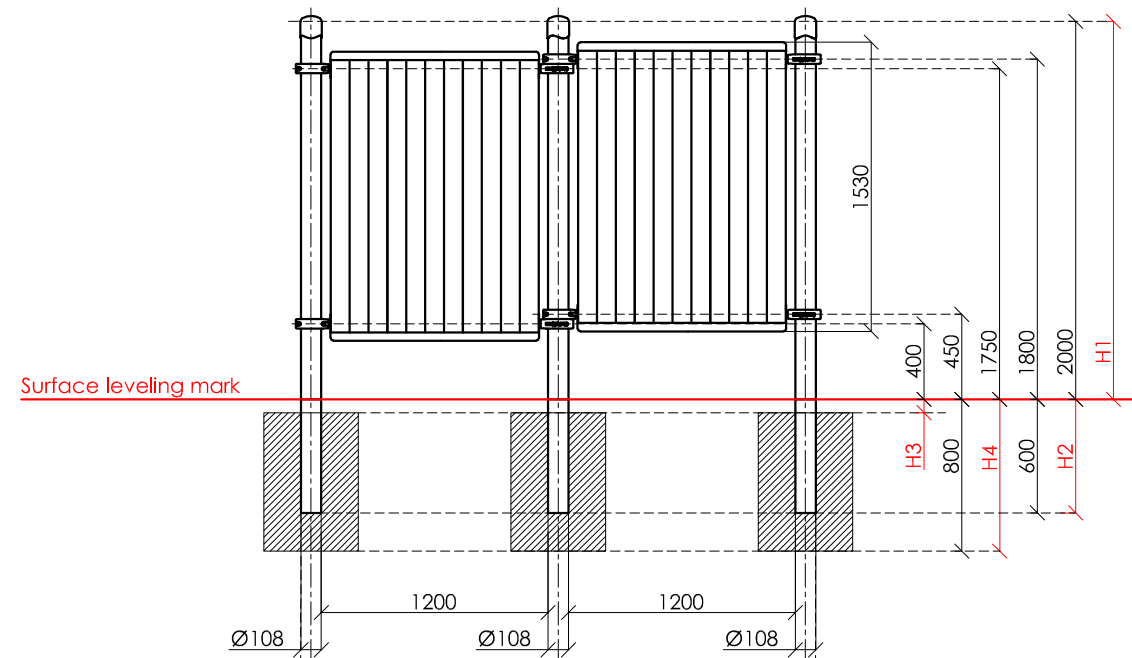
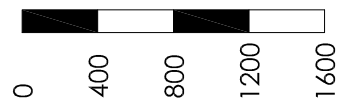


SCALE 1:40



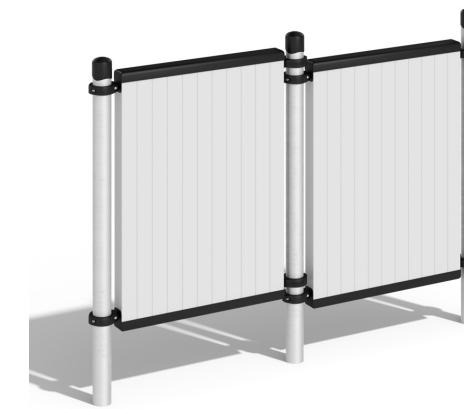
**KENGURU
PRO**

"KENGURU PRO" LTD

Address: Lauteres street 4, Riga, Latvia, LV-1002
 VAT Reg. No. 40103750152
 Bank: A/S Luminor bank, SWIFT: RIKOLV2X,
 Bank Account: LV65RIKO0002930161161
 e-mail: info@kengurupro.eu
 www.kengurupro.eu

PK-005

Kenguru PARKOUR



The structure consists of three vertical columns and two aluminium wall sections. Each of the walls is mounted on two crossbars 1200 mm in length. Height of the walls is 1500 mm. The structure is secured together with siluminium clamps. Weight – 141.4 kg

Installation instructions:

- Choose a suitable underground for the unit (see page 2, table 2)!
- Prepare the construction pit with a drilling machine or other devices.
- Before pouring the concrete all structures elements must be leveled and fixed.
- Complex elements must be fixed and bolted together with metal clamps.
- Ready-made C25 concrete should be used.
- Crossbars installation height can be changed according to customer's wishes.
- Approximately 0,15m³ concrete is needed for each spot foundation.
- Under the structures we recommend to install absorbing rubber cover.

The size of the hole for the foundation is depending on the consistency of the ground. The dimensions mentioned above are applicable for normal conditions with firm ground. If the ground is extremely soft, a much bigger foundation is needed. Use only appropriate material and follow the installation instructions closely!!!

Foundation plan and area of movement of the Kenguru PARKOUR complex PK-005

Technical information

Foundation when using Shock absorbing underground (synthetic – rubber granulates)		Beveling of foundation when using loose filling material		Technical information		
				width:	108 mm	
				height:	2050 mm	
				length:	2724 mm	
				largest part:	2650 mm	
				weight:	141,4 kg	
				floor space required	3708 x 6274 mm	
				pipe measurements:	diameter:	wall thickness:
					108 mm	3.0 mm
					33.7 mm	3.0 mm
				columns Ø108mm:	anodized profiled aluminium tube AW6060 (Silver color)	
				elements:	stainless steel AISI 304, brushed surface	
				metal clamps:	siluminium, powder coated, RAL 9005 (pure black)	
				bolts for metal clamps	stainless steel, Pin Hex Button Head Security bolts M10	
				wall beam measurements:	Height, width	Lenght
					100 x 100 mm	1500 mm
				aluminium parts:	silver color, anodized AW 6060, 2.0 mm	
				max. free fall height:	< 2000 mm	possible underground see DIN 79000:2012-05 Tab.2 or installation instructions
				user height:	> 140 cm	
				maximum user weight:	130 kg	
				certificates:	TÜV Rheinland InterCert Kft.	

