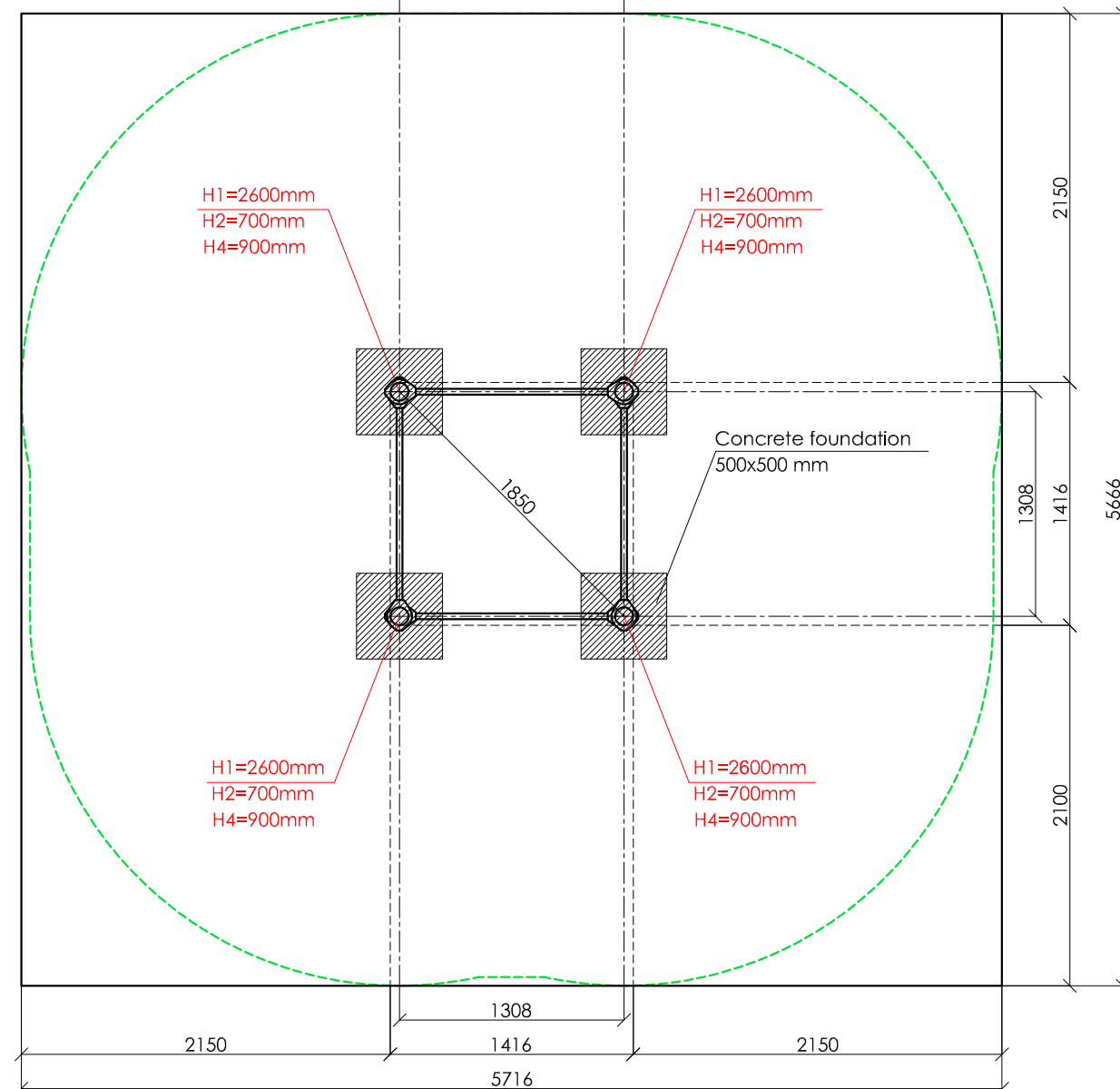
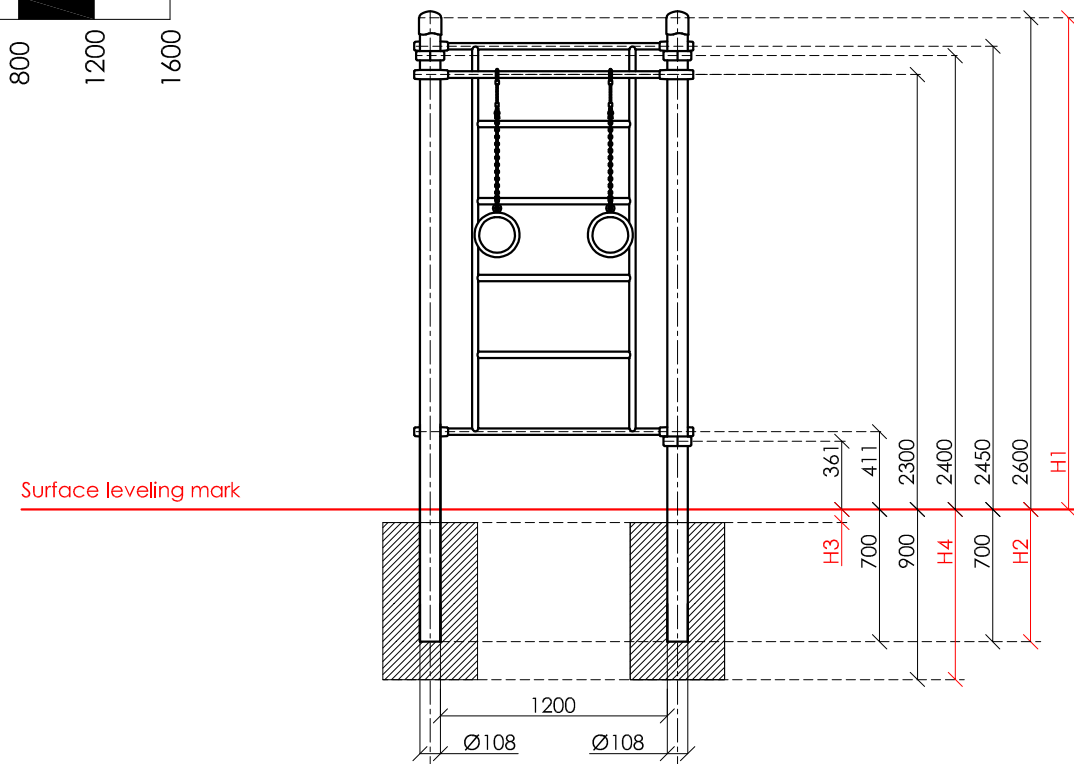
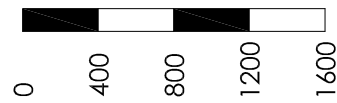


SCALE 1:40



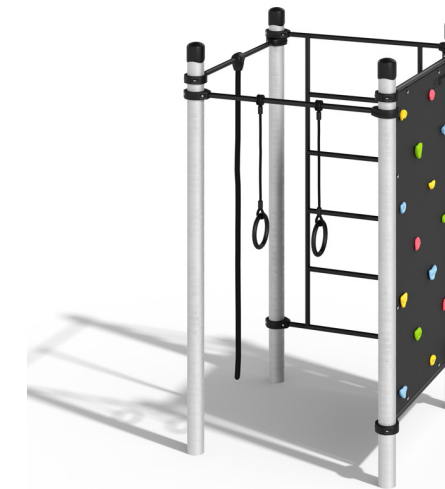
KENGURU PRO

"KENGURU PRO" LTD

Address: Lauteres street 4, Riga, Latvia, LV-1002
 VAT Reg. No. 40103750152
 Bank: A/S Luminor bank, SWIFT: RIKOLV2X,
 Bank Account: LV65RIKO0002930161161
 e-mail: info@kengurupro.eu
 www.kengurupro.eu

K-024_kids

Mini complex GTO kids



The complex consists of four vertical columns, two crossbars 1200 mm in length, a climbing wall and a Swedish wall. Optionally, two 1200 mm crossbars can be re-designed to be 1758 mm in length. Height of the Swedish wall and climbing wall – 2073 mm, width – 1200 mm. The distance between each crossbar of the Swedish wall – 407 mm. The complex is secured together with siluminium clamps.

Installation instructions:

- Choose a suitable underground for the unit (see page 2, table 2)!
- Prepare the construction pit with a drilling machine or other devices.
- Before pouring the concrete all structures elements must be leveled and fixed.
- Complex elements must be fixed and bolted together with metal clamps.
- Ready-made C25 concrete should be used.
- Crossbars installation height can be changed according to customer's wishes.
- Approximately 0,15m³ concrete is needed for each spot foundation.
- Under the structures we recommend to install absorbing rubber cover.

The size of the hole for the foundation is depending on the consistency of the ground. The dimensions mentioned above are applicable for normal conditions with firm ground. If the ground is extremely soft, a much bigger foundation is needed. Use only appropriate material and follow the installation instructions closely!!!

Foundation plan and area of movement of the K-024_kids				Technical information		
Foundation when using Shock absorbing underground (synthetic – rubber granulates)		Beveling of foundation when using loose filling material		width:	1416 mm	
				height:	2650 mm	
				length:	1416 mm	
				largest part:	3350 mm	
				weight:	120,0 kg	
				floor space required	5716 x 5666 mm	
				pipe measurements:	diameter:	wall thickness:
					108 mm	3.0 mm
					33.7mm	3.0 mm
				columns Ø108mm:	anodized profiled aluminium tube AW6060 (Silver color)	
				elements:	stainless steel AISI 304, brushed surface	
				metal clamps:	siluminium, powder coated, RAL 9005 (pure black)	
				bolts for metal clamps	stainless steel, Pin Hex Button Head Security bolts M10	
				max. free fall height:	< 2450 mm	EN1176-1 annex I table I.1
				user age:	3-14 years	
				certificates:		

