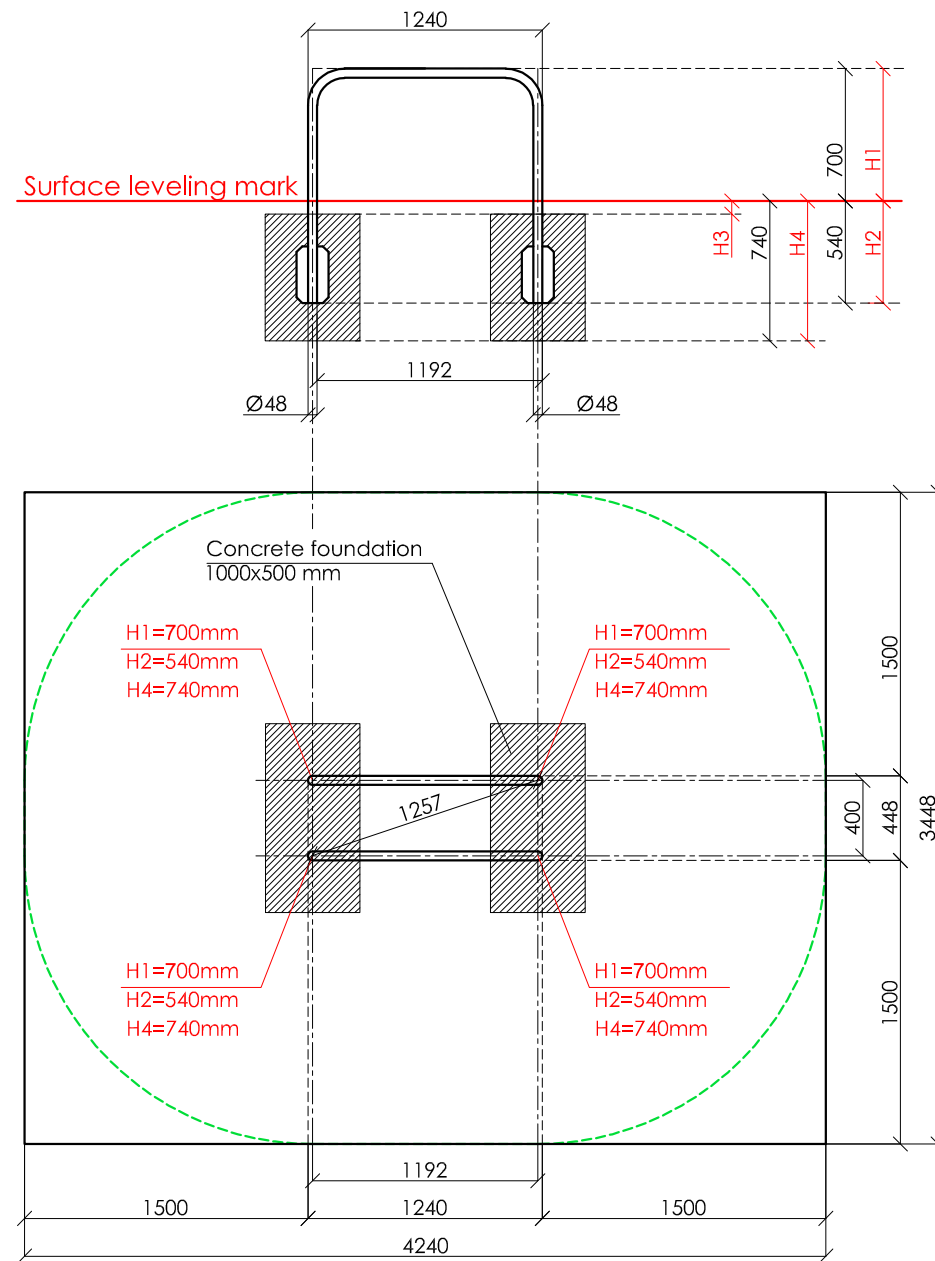
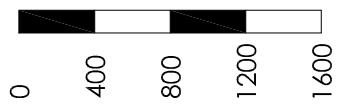


SCALE 1:40



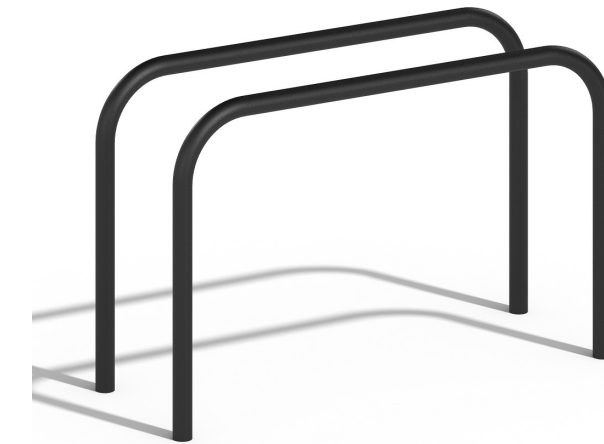
**KENGURU  
PRO**

**"KENGURU PRO" LTD**

Address: Lauteres street 4, Riga, Latvia, LV-1002  
 VAT Reg. No. 40103750152  
 Bank: A/S Luminor bank, SWIFT: RIKOLV2X ,  
 Bank Account: LV65RIKO0002930161161  
 e-mail: info@kengurupro.eu  
 www.kengurupro.eu

K-008\_kids

Low parallel bars



The structure consists of two low, curved parallel bars. Length of the bars 1240 mm, height – 700 mm, distance between the bars – 400 mm.

**Installation instructions:**

- Choose a suitable underground for the unit (see page 2, table 2)!
- Prepare the construction pit with a drilling machine or other devices.
- Before pouring the concrete all structures elements must be leveled and fixed.
- Complex elements must be fixed and bolted together with metal clamps.
- Ready-made C25 concrete should be used.
- Crossbars installation height can be changed according to customer's wishes.
- Approximately 0,15m³ concrete is needed for each spot foundation.
- Under the structures we recommend to install absorbing rubber cover.

The size of the hole for the foundation is depending on the consistency of the ground. The dimensions mentioned above are applicable for normal conditions with firm ground. If the ground is extremely soft, a much bigger foundation is needed. Use only appropriate material and follow the installation instructions closely!!!

Foundation plan and area of movement of the K-008_kids				Technical information	
Foundation when using Shock absorbing underground (synthetic – rubber granulates)		Beveling of foundation when using loose filling material		width:	448 mm
				height:	700 mm
				length:	1240 mm
				largest part:	1340 mm
				weight:	40,00 kg
				floor space required:	3448 x 4240 mm
				pipe measurements:	diameter: wall thickness:
					48,3 mm 3,0 mm
				metal parts:	stainless steel AISI 304, brushed surface
				metal clamps:	-
				bolts for metal clamps:	-
				max. free fall height:	< 700 mm
					EN1176-1 annex I table I.1
				user age:	3-14 years
				certificates:	

